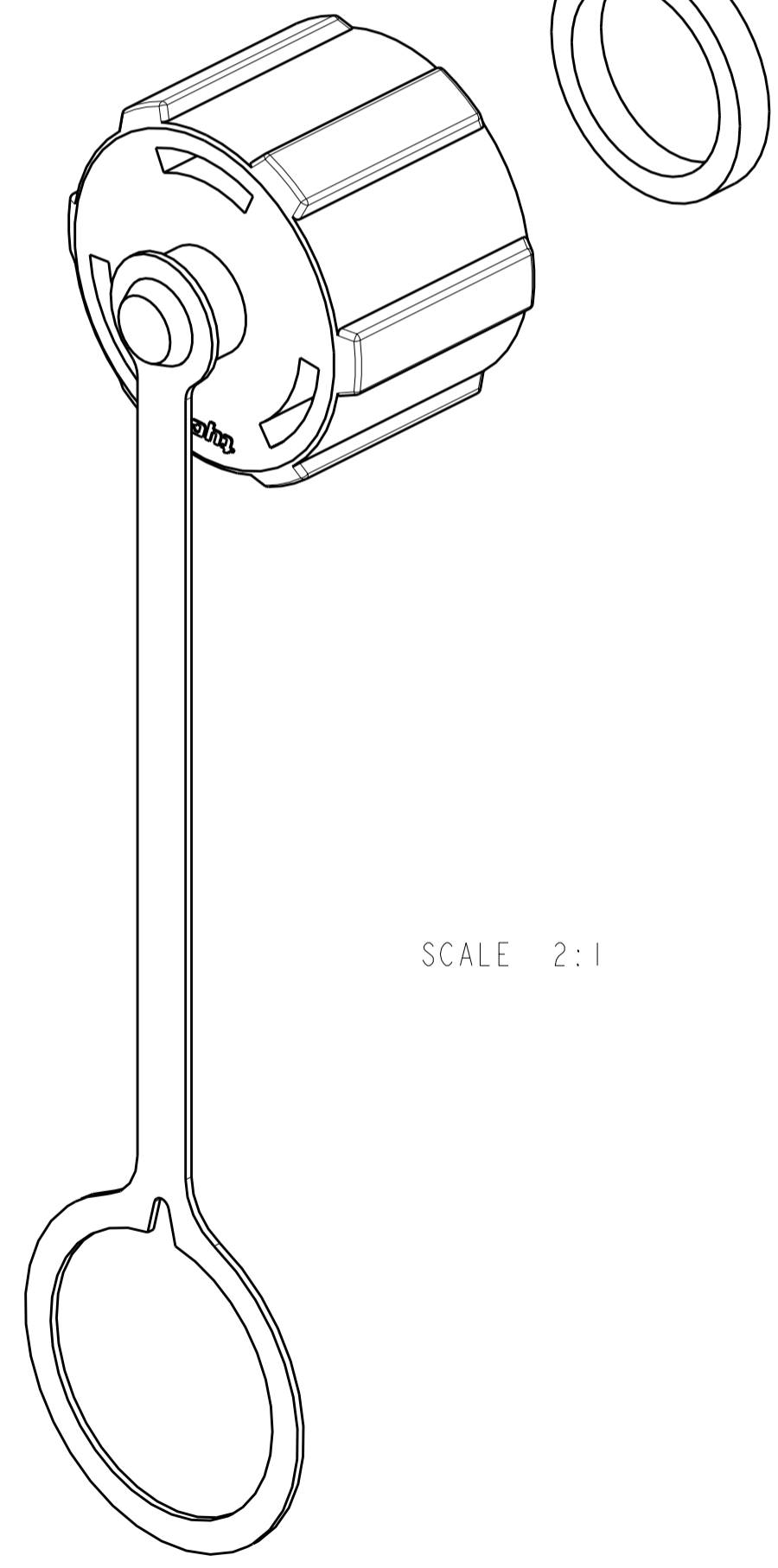


THIS DRAWING IS UNPUBLISHED. RELEASED FOR PUBLICATION
 © COPYRIGHT BY TYCO ELECTRONICS CORPORATION. ALL RIGHTS RESERVED.

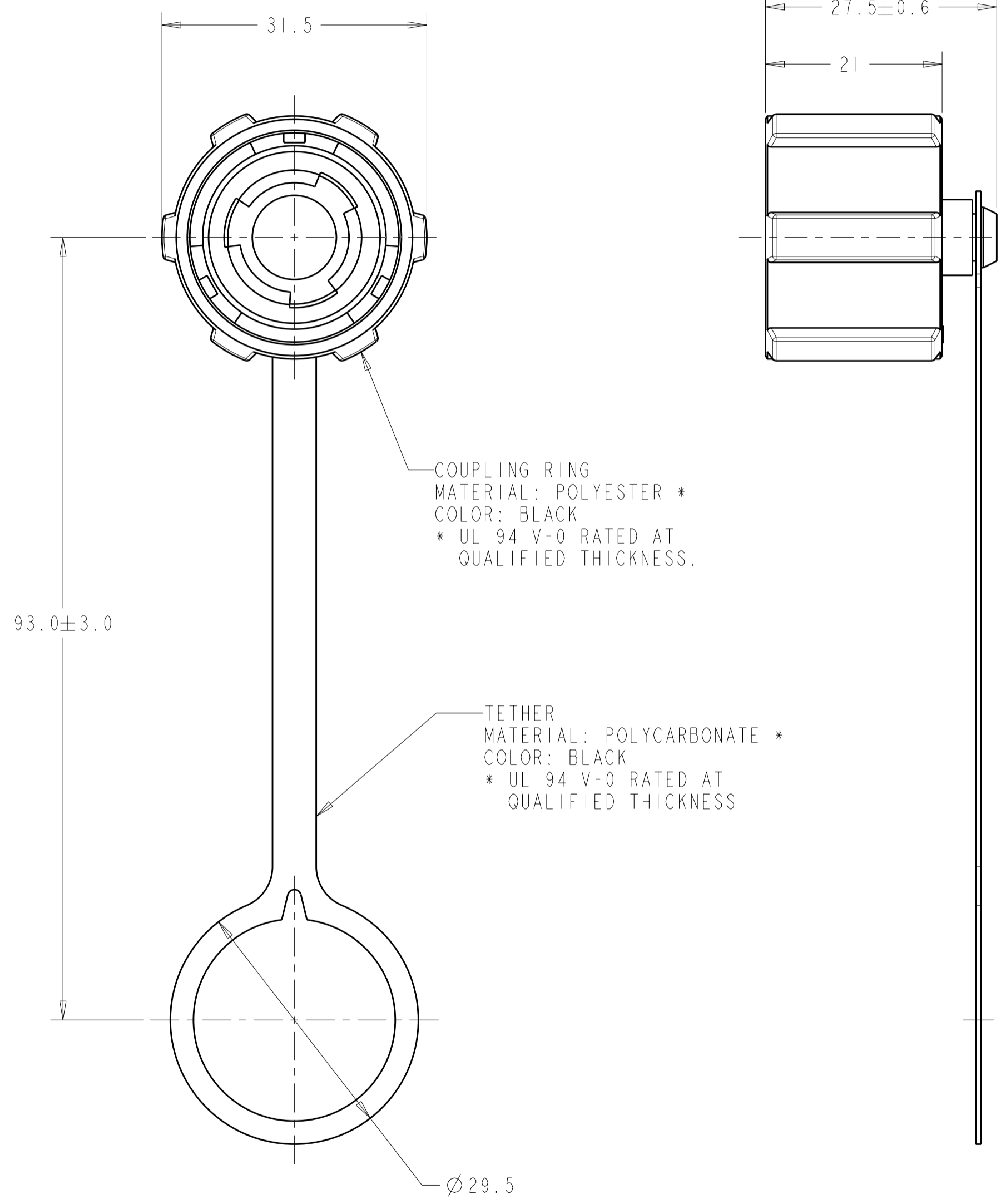
LOC	DIST	REVISIONS					
CE	00	P	LTR	DESCRIPTION	DATE	DWN	APVD
		A		REL TO ACTIVE PER ECR-08-029127	IDEC2008	DDE	DDE
		-					
		-					

I. PACKAGED IN POLYBAG.

△ INTERFACIAL SEAL
 MATERIAL: ELASTOMER
 COLOR: RED



SCALE 2:1



1918177-1
 PART NUMBER

<small>THIS DRAWING IS A CONTROLLED DOCUMENT FOR TYCO ELECTRONICS CORPORATION IT IS SUBJECT TO CHANGE AND THE CONTROLLING ENGINEERING ORGANIZATION SHOULD BE CONTACTED FOR THE LATEST REVISION.</small>		DWN 04 JAN 2006 ERDMAN CHK 04 JAN 2006 GURRERI APVD 04 JAN 2006 BAECHTLE	Tyco Electronics Harrisburg, PA 17105-3608
DIMENSIONS: mm 	TOLERANCES UNLESS OTHERWISE SPECIFIED: 0 PLC ±0.3 1 PLC ±0.2 2 PLC ±0.10 3 PLC ± 4 PLC ± ANGLES ±° FINISH	PRODUCT SPEC APPLICATION SPEC WEIGHT CUSTOMER DRAWING	NAME PROTECTIVE COVER ASSEMBLY, RECEPTACLE, SEALED INDUSTRIAL CONNECTOR SIZE CAGE CODE DRAWING NO RESTRICTED TO A2 00779 C-1918177 -
AMP 1471-9 REV 31MAR2000		SCALE 2:1 SHEET 1 OF 1 REV A	