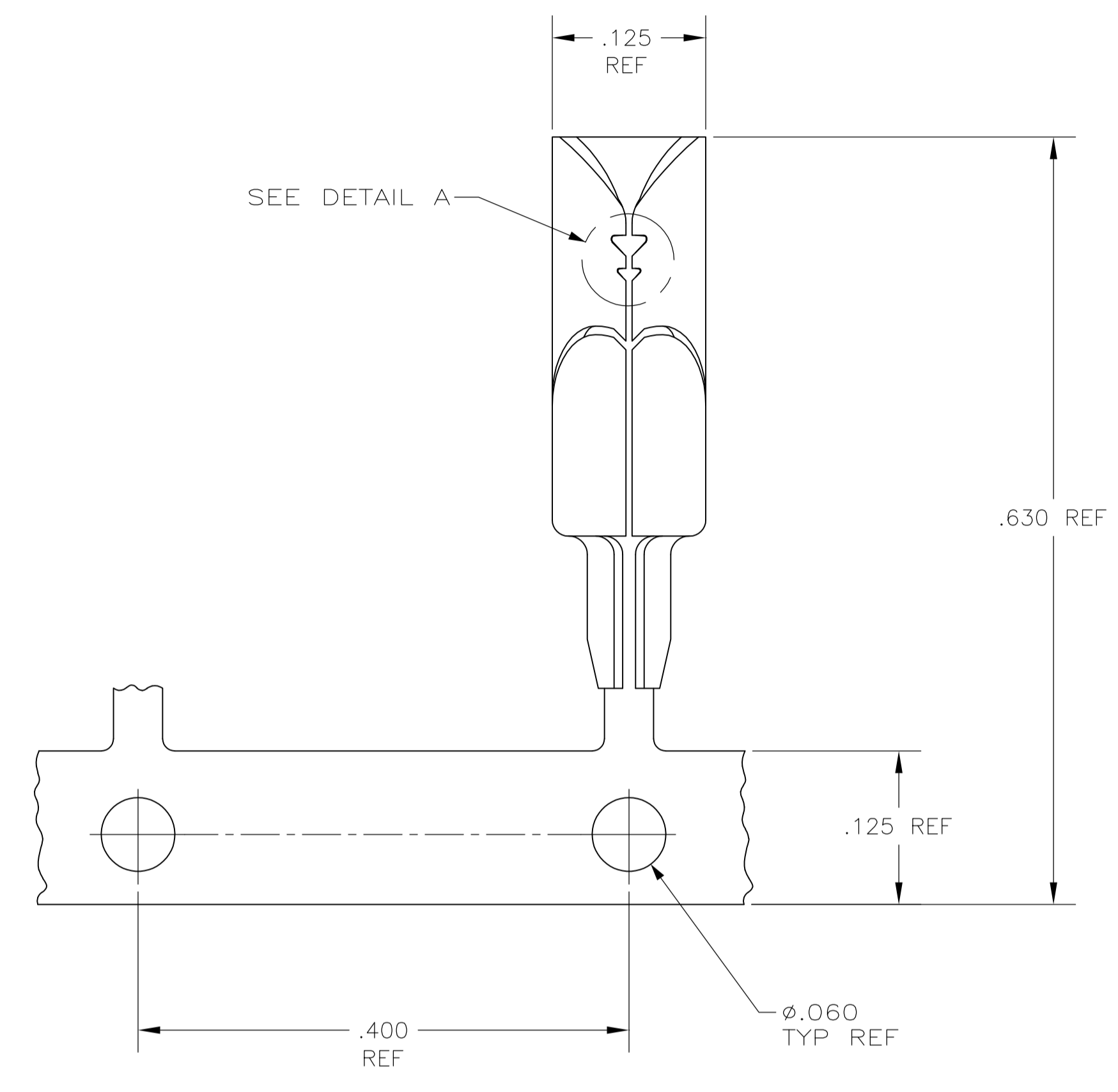
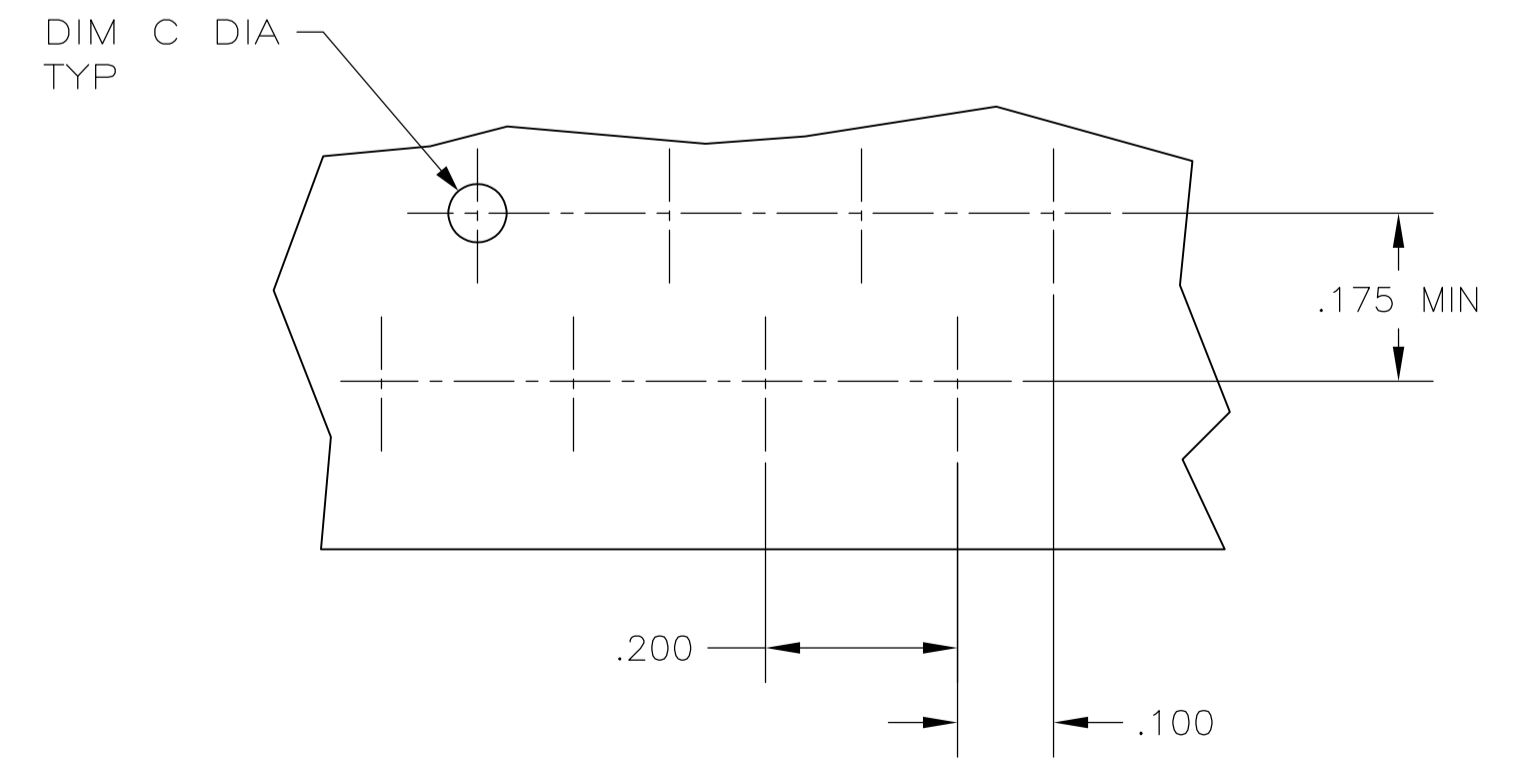


LOOSE PIECE  
-1, -3, -4, -6, & -8 ONLY



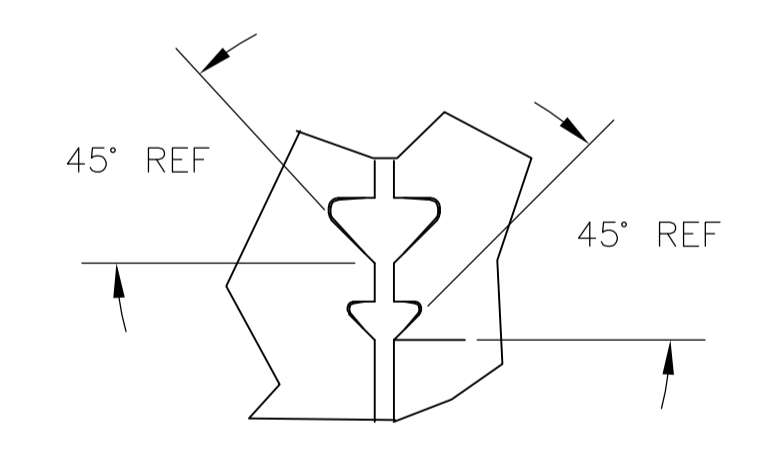
STRIP MOUNTED  
-2, -5 & -7 ONLY



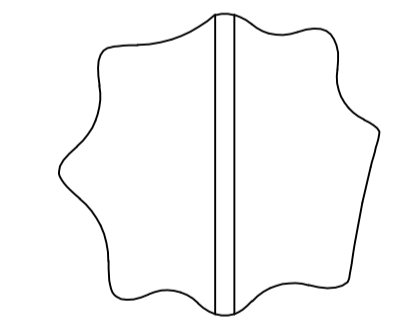
SUGGESTED PRINTED CIRCUIT BOARD  
MOUNTING DIMENSIONS

OBSOLETE

- FOR USE IN PRINTED CIRCUIT BOARD, 3/64-1/8 THICK.
  - WIRE RANGE: 18-28 AWG (SOLID) OR (STRANDED) WIRE. MAX OUTSIDE DIA .086.
  - FURNISHED AS LOOSE PIECE OR STRIP MOUNTED BY SMALL END OF BARREL.
  - TERMINAL SHALL ACCOMMODATE ONE OR TWO WIRES OF THE SAME TYPE AND WITHIN PLUS OR MINUS ONE WIRE GAGE SIZE. EXAMPLE:  
24 AWG MAY BE MIXED WITH EITHER 26 OR 22 AWG.
  - RECOGNIZED UNDER COMPONENT RECOGNITION PROGRAM OF UNDERWRITERS LABORATORIES INC., FILE NO. E-28476.
  - FOR 18-22 AWG WIRE USE INSERTION TOOL, PART NO.
- 8 WHEN USING TEFLON INSULATED WIRES USE 552699-1, -2 OR -3 ONLY.  
 9 WHEN USING 28 AWG SOLID, TWO WIRES PER TERMINAL, USE 552699-4, -5, -6, -7 OR -8 ONLY.  
 10 PRE PRODUCTION FASR REQUIRED



DETAIL A  
FOR -1, -2, -3 ONLY



DETAIL A  
FOR -4, -5, -6, ONLY

TERMINAL INSERTION TOOL (REF)	PUNCHED HOLE DIM. C	DRILLED HOLE DIM. C	DIM. B	DIM. A	PC BOARD THICKNESS	DESCRIPTION	PART NO.
1-453973-4				.458	.062-.094	STRIP MOUNTED, REVERSE REELED	1-552699-0
2-453973-1				.483	.094-.125	SUPERSEDED BY -4	552699-6
230549-1				.483	.062-.125	SAME AS -2 EXCEPT AS SHOWN IN DETAIL A	552699-5
1-453973-4				.458	.062-.094	SAME AS -1 EXCEPT AS SHOWN IN DETAIL A	552699-4
2-453973-1				.483	.094-.125	SUPERSEDED BY -1	552699-3
230549-1	.060-.064	.061-.065	.118	.458	.062-.094	AS SHOWN, STRIP MOUNTED	552699-2
230549-1				.458	.062-.094	AS SHOWN, LOOSE PIECE	552699-1

THIS DRAWING IS A CONTROLLED DOCUMENT.

DIMENSIONS: INCHES  
 TOLERANCES UNLESS OTHERWISE SPECIFIED:  
 0 PL ±  
 1 PL ±  
 2 PL ±  
 3 PL ±  
 4 PL ±  
 ANGLES ±

MATERIAL: PHOS BRONZE  
 FINISH: PRE-TINNED

CUSTOMER DRAWING  
 SCALE: 1:1  
 SHEET: 1 OF 1  
 REV: V4

STC TE Connectivity  
 NAME: PETE DESANTIS  
 PRODUCT SPEC: PRODUCT SPEC  
 APPLICATION SPEC: APPLICATION SPEC  
 SIZE: A1  
 CAGE CODE: 00779  
 DRAWING NO: 552699